

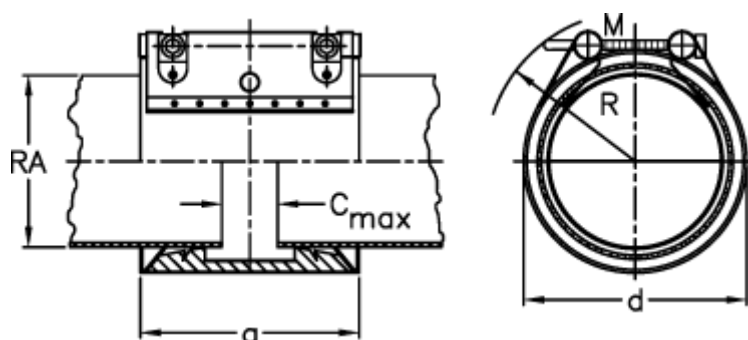
# Data Sheet



Article number: 025819360125

Description: Norma Connect pipe coupling  
PLAST GRIP PGL W5 Ø=125,0 EPDM, 16 bar

## Measures



|                           |               |
|---------------------------|---------------|
| a                         | = 115.0       |
| C max with insertion band | = 25          |
| d                         | = 155         |
| M (screw)                 | = M12         |
| Nominal pressure (bar)    | = 16          |
| R                         | = 185         |
| RA                        | = 125.0       |
| RA min-RA max plastic     | = 123,0-127,0 |

Weight a piece = 3.2